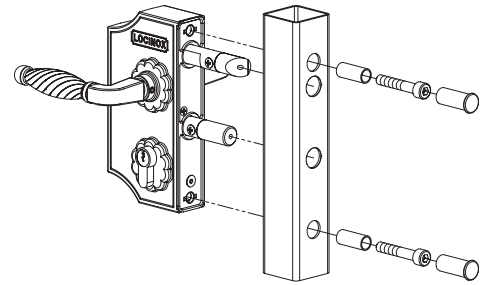


LOCINOX[®]

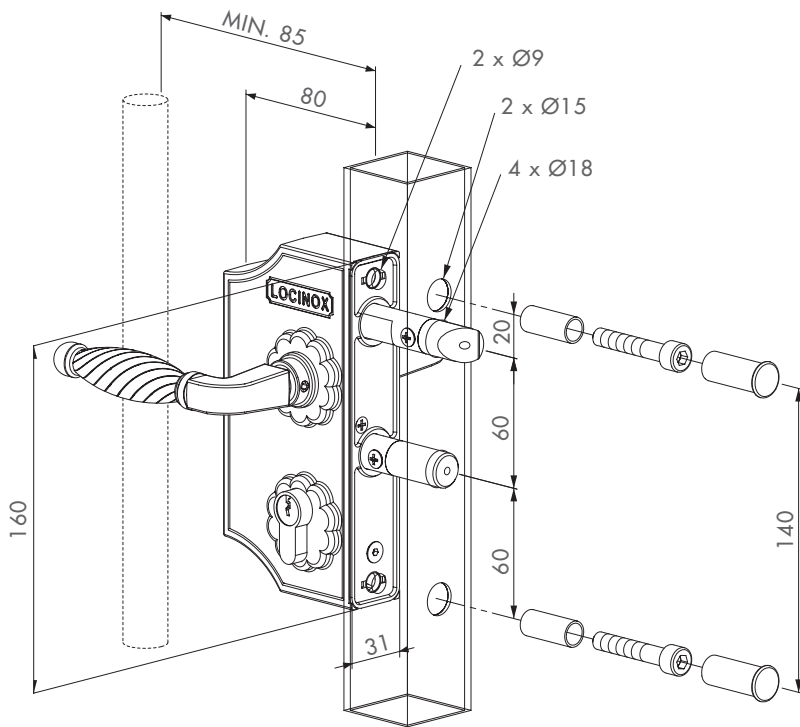
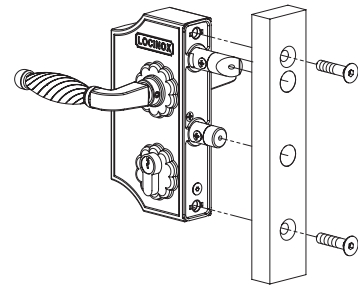
WWW.LOCINOX.COM

CODE: LAKY-F2

Tube mount application

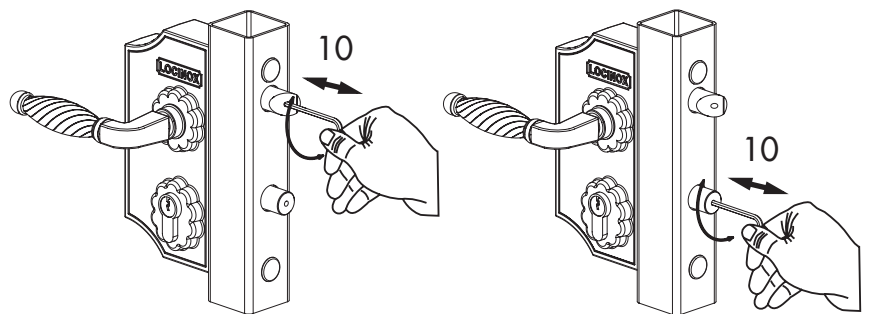
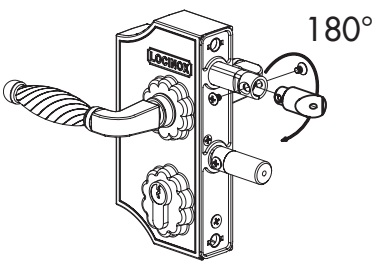


Flat mount application



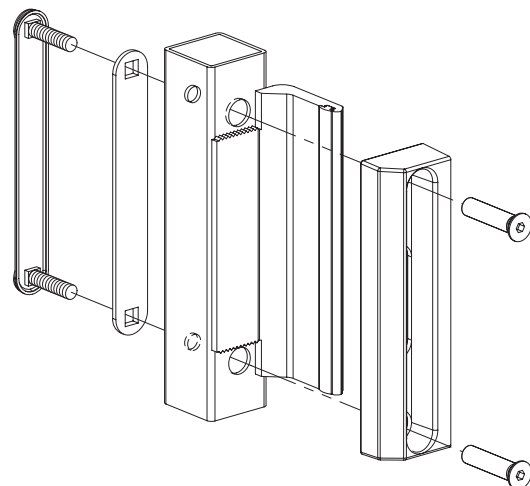
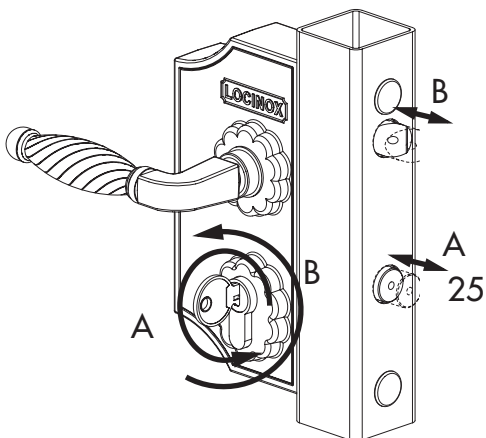
Left / Right

Throw adjustment 10



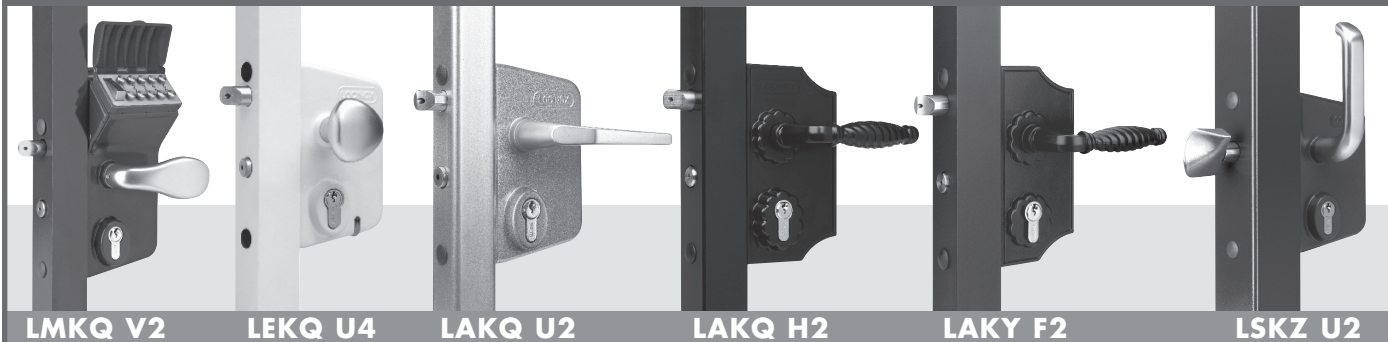
Key operated (B) & Throw (A)

Keeper installation drawing

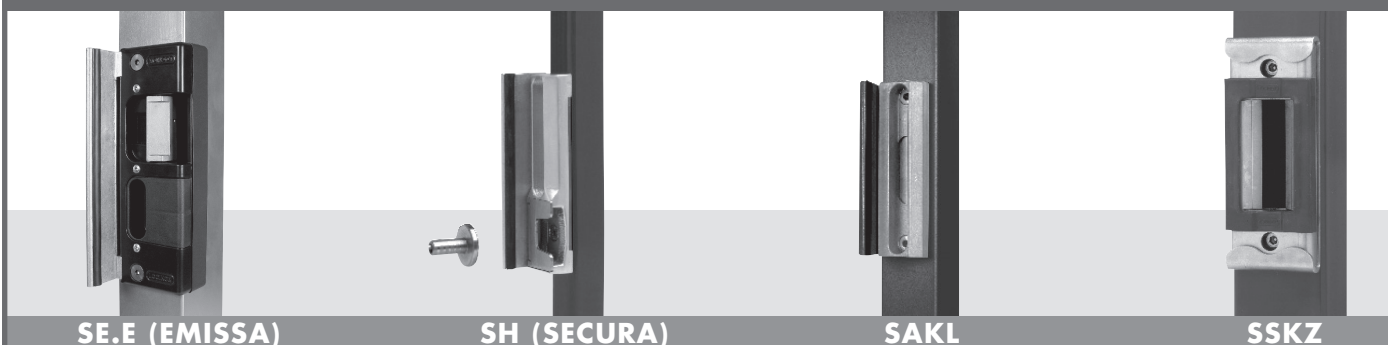


LOCINOX

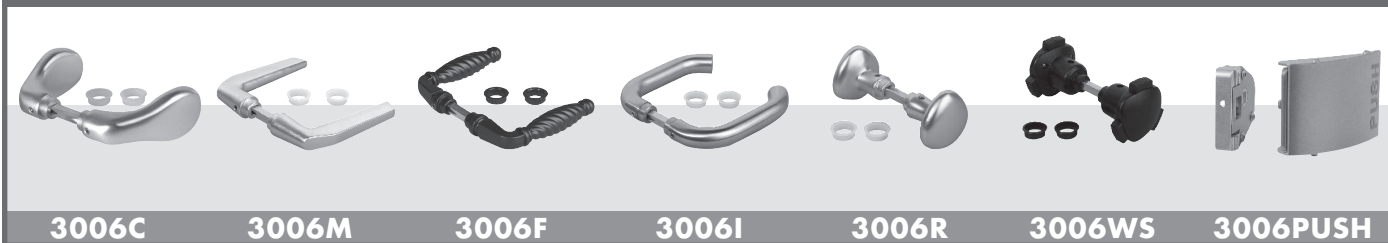
LOCKS - CERRADURAS - SERRURES



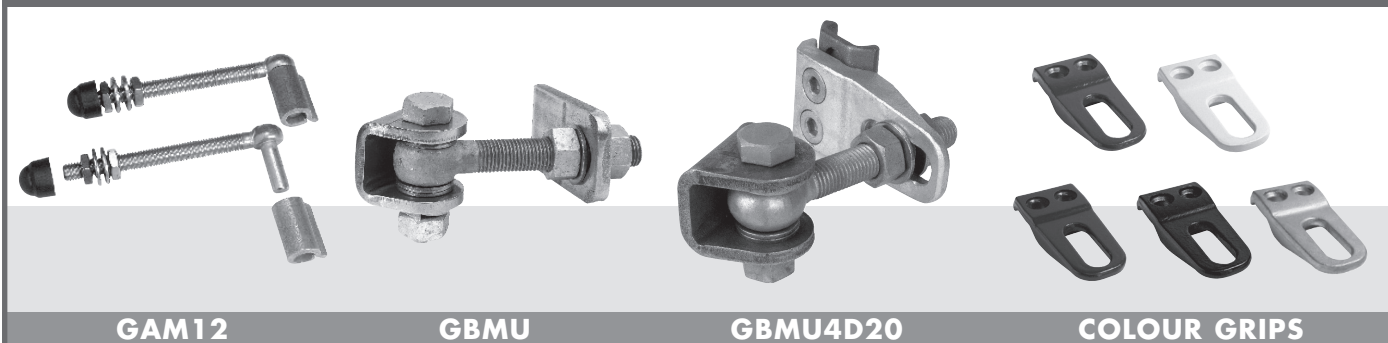
KEEPERS - CERRADEROS - GÂCHES



HANDLES - MANILLAS - POIGNÉES



HINGES - BISAGRAS - CHARNIÈRES



LOCINOX[®]
WWW.LOCINOX.COM

Doc. Nr.: MANU-000052

Locinox nv • Mannebeekstraat 21 • B-8790 Waregem • Belgium - Europe
Tel. +32 (0)56 77 27 66 • Fax. +32 (0)56 77 69 26 • E-mail: locinox@locinox.com

