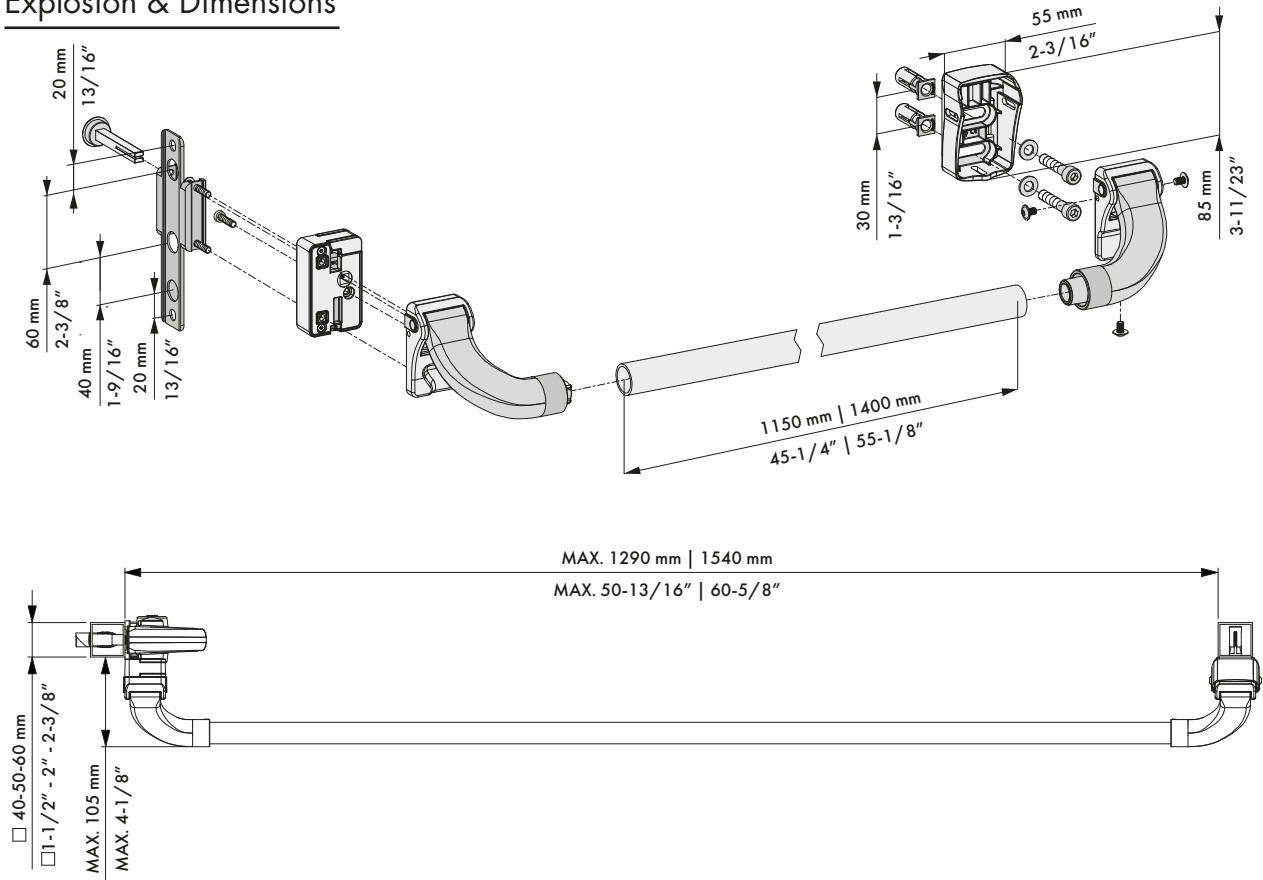


LOCINOX®

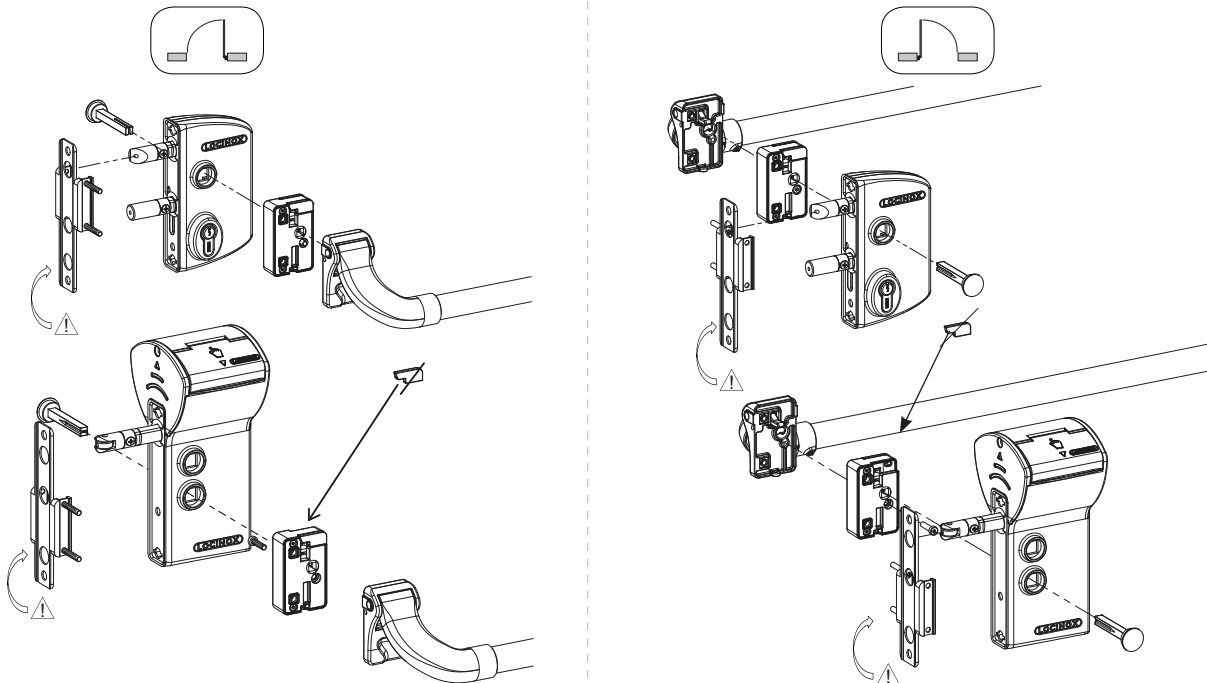
Let's make better fences together

PUSHBAR-L: INSTALLATION INSTRUCTION

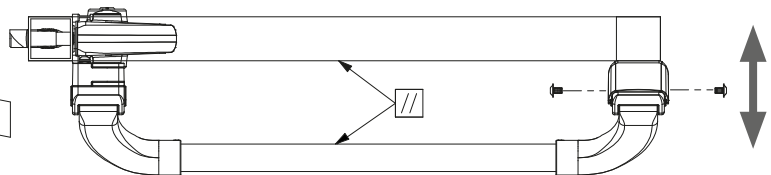
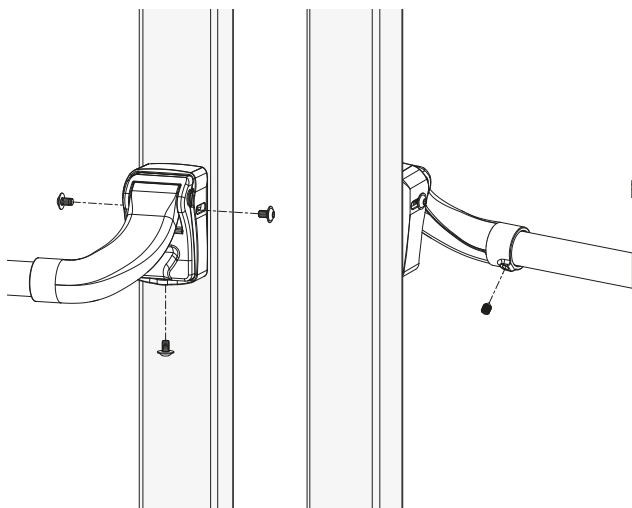
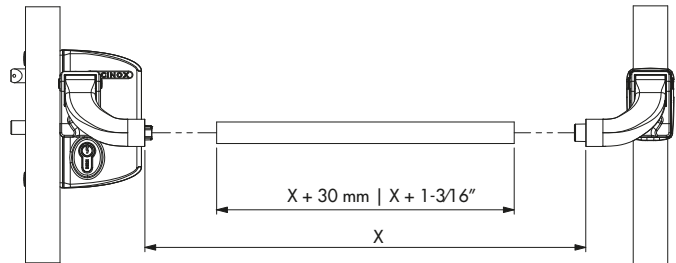
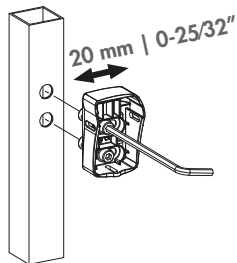
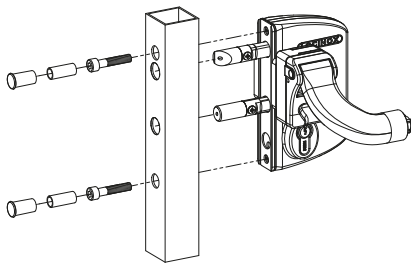
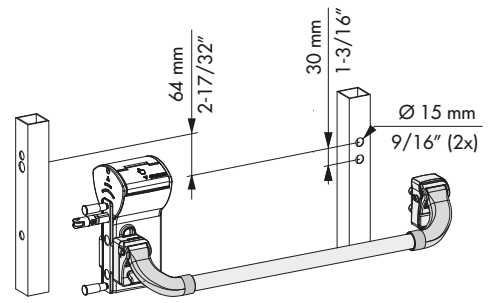
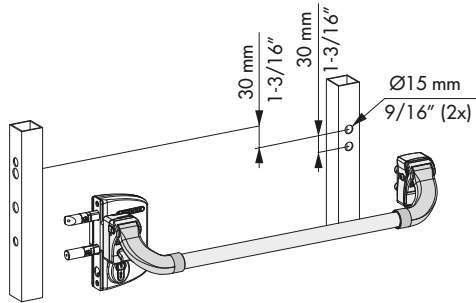
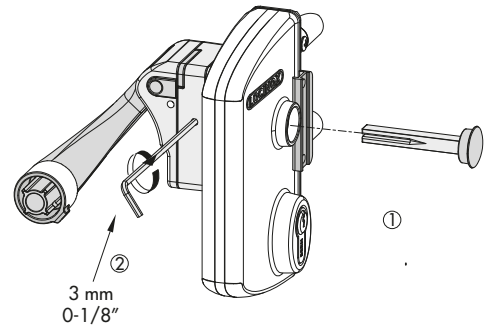
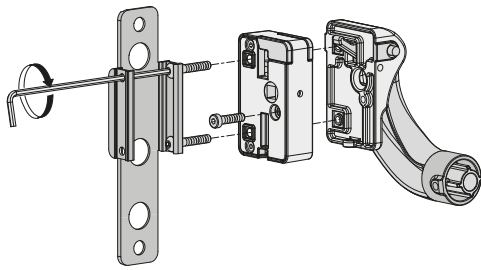
① Explosion & Dimensions



② Left or right turning gate



③ Mounting



LOCINOX[®]
WWW.LOCINOX.COM

Doc. Nr.: MANU-000209

Locinox nv • Mannebeekstraat 21 • B-8790 Waregem • Belgium - Europe
Tel. +32 (0)56 77 27 66 • Fax. +32 (0)56 77 69 26 • E-mail: locinox@locinox.com



* M AN U - 0 0 0 2 0 9 *