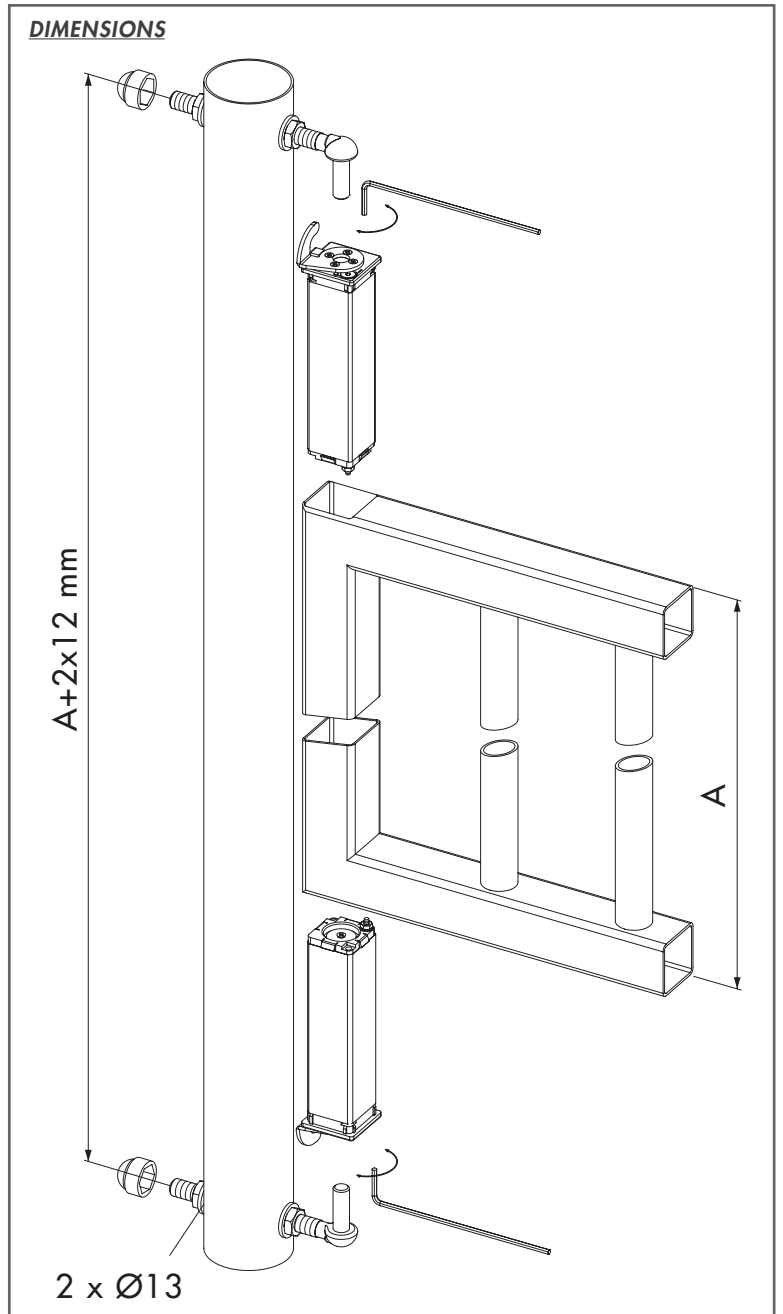
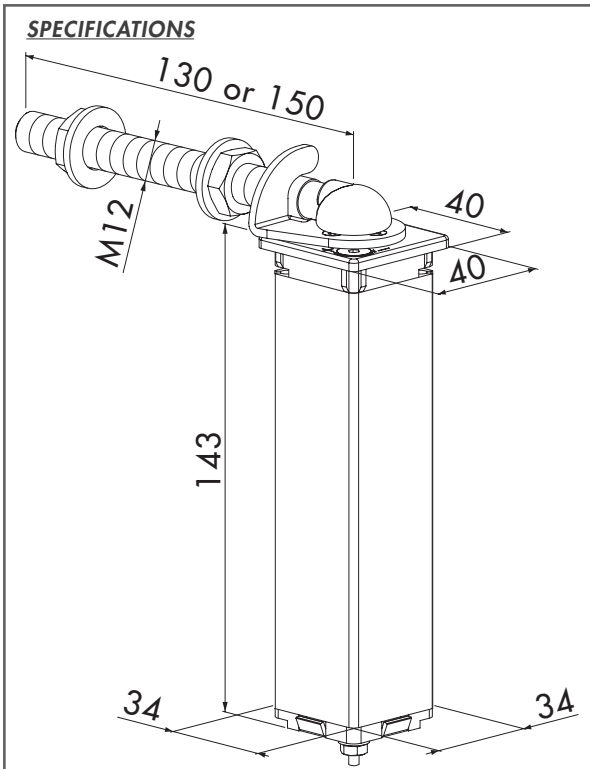
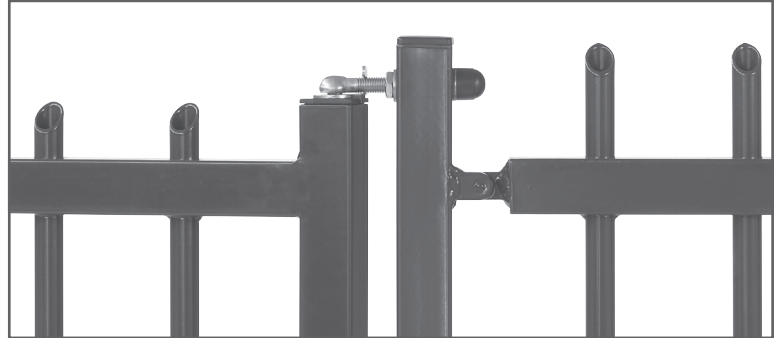
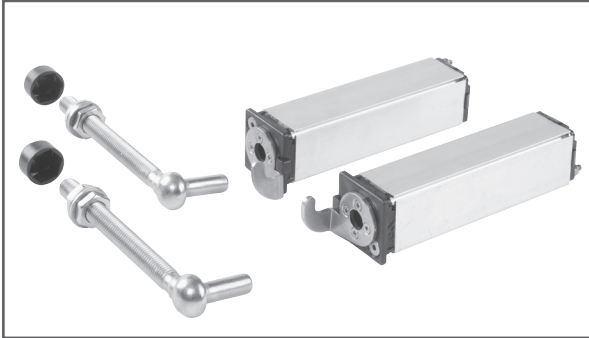


LOCINOX[®]

WWW.LOCINOX.COM

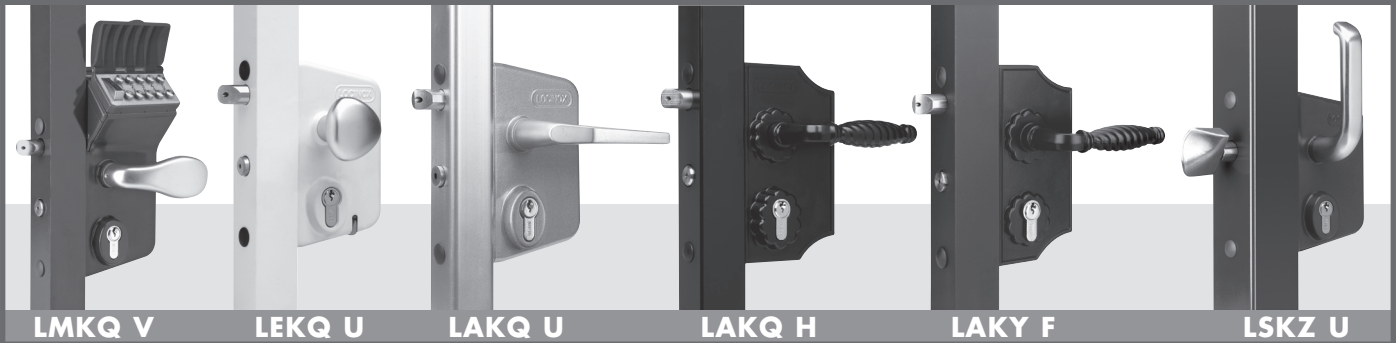
CODE: SWING40



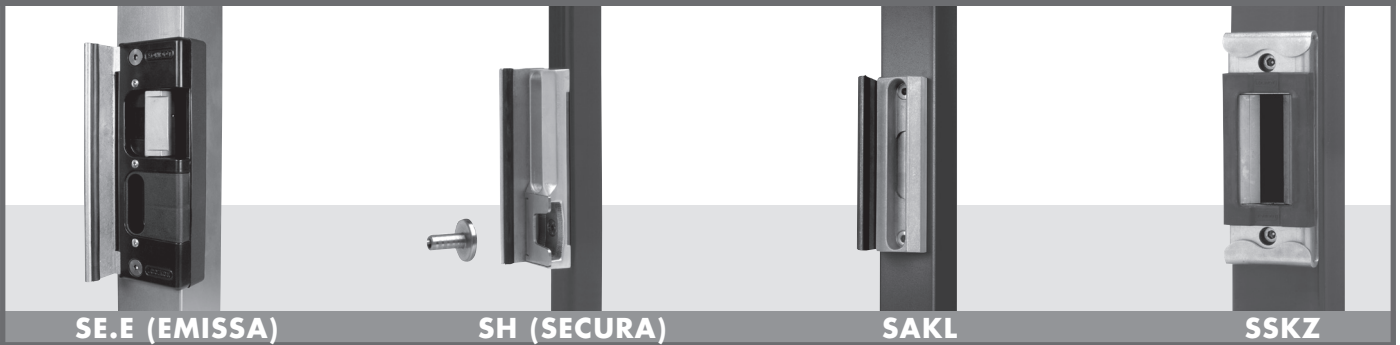
LOCINOX®

WWW.LOCINOX.COM

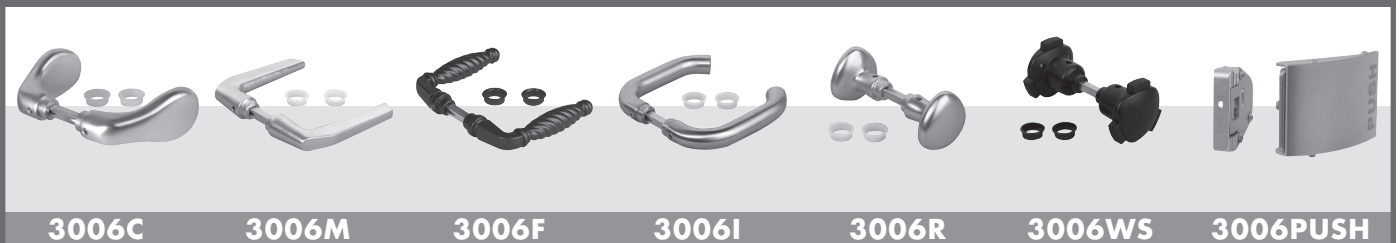
SLOTEN - LOCKS - CERRADURAS - SERRURES



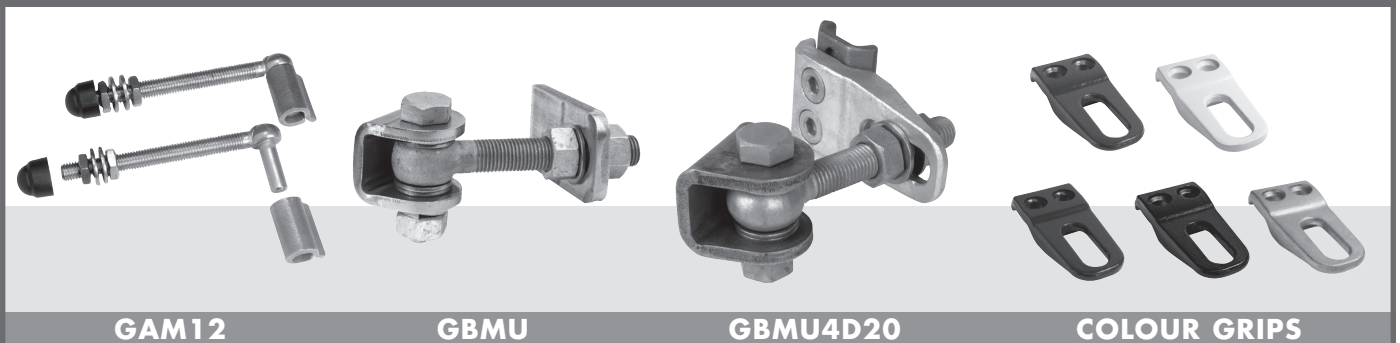
SLOTVANGERS - KEEPERS - CERRADEROS - GÂCHES



KRUKKEN - HANDLES - MANILLAS - POIGNÉES



SCHARNIEREN - HINGES - BISAGRAS - CHARNIÈRES



LOCINOX®
WWW.LOCINOX.COM

Doc. Nr.: MANU-000027



Locinox nv • Mannebeekstraat 21 • B-8790 Waregem • Belgium - Europe
Tel. +32 (0)56 77 27 66 • Fax. +32 (0)56 77 69 26 • E-mail: locinox@locinox.com

* M A N U - 0 0 0 0 2 7 *